



Main

| | |
|---------------------------|---|
| Range of product | Harmony iPC |
| Product or component type | Multi-touch screen |
| Processor name | Intel Core i3 4010U at 1.7 GHz |
| Chipset type | Intel QM87 |
| Free slots | 1 Internal SATA HDD/SSD 1 CFAST |
| Display size | 18.5 inch |
| Display colour | 16777216 colors |
| Luminance | 300 cd/m ² |
| Pixel resolution | 4096 x 4096 |
| Video controller type | Intel HD Graphics 4400 |
| Software package | EcoStruxure secure connect advisor annual subscription cyber security license not included EcoStruxure Operator Terminal Expert run time HMI license not included EcoStruxure Machine SCADA Expert run time HMI/SCADA on configured offer only EcoStruxure augmented operator advisor server augmented operator license not included |

Complementary

| | |
|----------------------------------|---|
| Number of points | 5 |
| Terminal type | Touchscreen display |
| Memory type | 8 GB RAM DDR3 internal |
| Data storage equipment | CFAST card |
| Aspect ratio | 16:9 |
| Display type | Colour TFT LCD LED |
| Display resolution | 1366 x 768 pixels WXGA |
| Backlight lifespan | 50000 hours |
| View angle horizontal x vertical | 160 x 170° |
| Touch panel | Projected capacitive technology (PCT) |
| Type of cooling | Fanless Passive |
| Watchdog timer | 1...255 ms |
| Number of slots | 1 mini PCI Express full-size |
| [Us] rated supply voltage | 24 V DC +/- 20 % 100...240 V AC with additional adaptor HMIYSPMAC1 |
| Power consumption in W | 28...60 W |
| Mechanical robustness | Hardness anti-scratch 7H |
| Function available | Operate with water on screen |
| Width | 488 mm |
| Height | 309 mm |
| Depth | 56.7 mm |
| Cut-out dimensions | 479.3 (+/- 1) x 300.3 (+/- 0.7) |
| Net weight | 7 kg |
| Display size | 19" wide multi-touch |
| Main type | Performance |

The information provided in this documentation contains general descriptions and/or technical characteristics of the performance of the products contained herein. This documentation is not intended as a substitute for and is not to be used for determining suitability or reliability of these products for specific user applications. It is the duty of any such user or integrator to perform the appropriate and complete risk analysis, evaluation and testing of the products with respect to the relevant specific application or use thereof. Neither Schneider Electric Industries SAS nor any of its affiliates or subsidiaries shall be responsible or liable for misuse of the information contained herein.

Environment

| | |
|---------------------------------------|--|
| IP degree of protection | IP66 front panel: |
| Product certifications | EAC CE RCM CCC AS/NZS C-Tick |
| Standards | IEC 60950 CISPR 11 IEC 61000-6-4 UL 60950 FCC part 15 class A CSA C22.2 No 60950 IEC 61000-6-2 |
| Directives | 2004/108/EC - electromagnetic compatibility 2006/95/EC - low voltage directive |
| Pollution degree | 2 |
| Ambient air temperature for operation | 0...55 °C SSD 0...55 °C Cfast card 0...45 °C HDD |
| Ambient air temperature for storage | -20...60 °C |
| Relative humidity | 10...95 % non-condensing |
| Operating altitude | 2000 |
| Vibration resistance | 1 gn (f = 5...500 Hz)HDD |

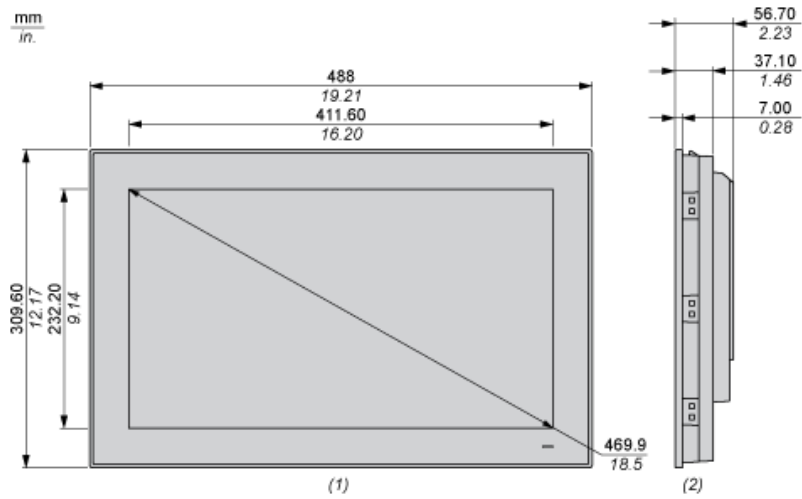
Packing Units

| | |
|------------------|------------|
| Package 1 Weight | 7.000 kg |
| Package 1 Height | 495.000 mm |
| Package 1 width | 160.000 mm |
| Package 1 Length | 685.000 mm |

Offer Sustainability

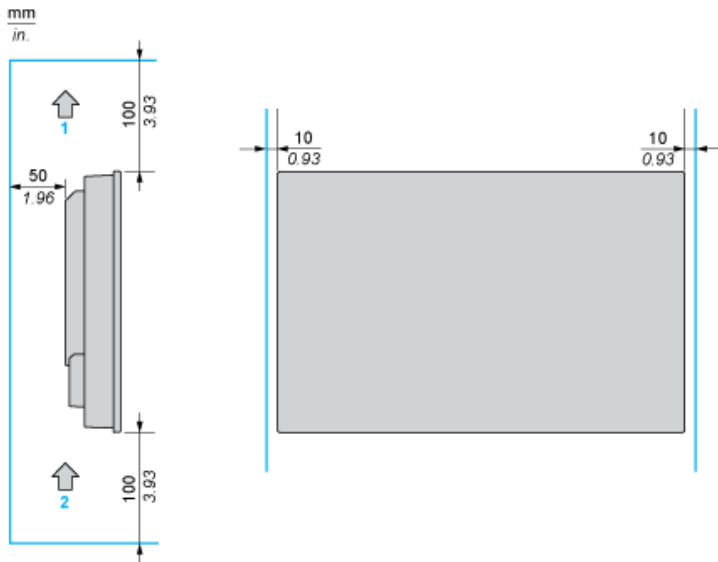
| | |
|----------------------------|---|
| EU RoHS Directive | Pro-active compliance (Product out of EU RoHS legal scope) EU RoHS Declaration |
| Mercury free | Yes |
| RoHS exemption information | Yes |
| China RoHS Regulation | China RoHS Declaration |
| Environmental Disclosure | Product Environmental Profile |
| Circularity Profile | End Of Life Information |
| WEEE | The product must be disposed on European Union markets following specific waste collection and never end up in rubbish bins |

Dimensions



- (1) Front view
- (2) Side view

Spacing Requirements

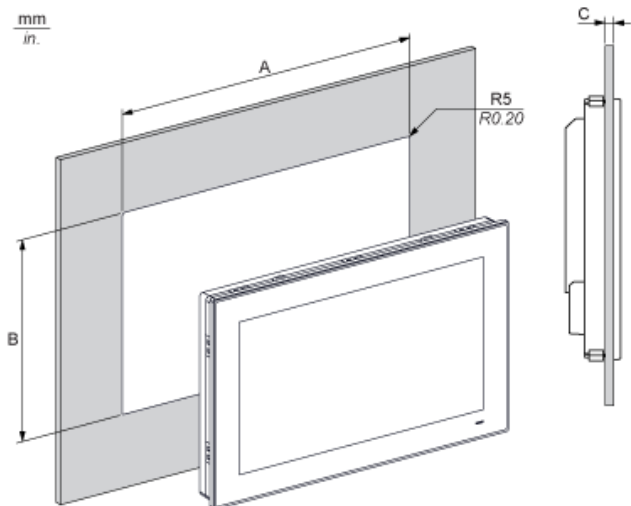


- (1) Air out
- (2) Air in

Mounting Orientation



Panel Cut Dimensions



| A | B | C | R |
|---------------------------------|-----------------------------------|------------------------------|-------------------|
| 479.3 ±1 mm (18.87 ±0.04 in) | 300.3 ±0.7 mm (11.82 ±0.03 in) | 2...6 mm (0.08...0.23 in) | 5 mm (0.20 in) |