



### Main

|                           |  |
|---------------------------|--|
| Range of product          | Harmony iPC  |
| Product or component type | Multi-touch screen   |
| Processor name            | Intel Core i3 4010U at 1.7 GHz   |
| Chipset type              | Intel QM87   |
| Free slots                | 1 Internal SATA HDD/SSD<br>1 CFAST   |
| Display size              | 18.5 inch  |
| Display colour            | 16777216 colors  |
| Luminance                 | 300 cd/m <sup>2</sup>  |
| Pixel resolution          | 4096 x 4096  |
| Video controller type     | Intel HD Graphics 4400   |
| Operating system          | Windows 10 IoT Enterprise 64 bit multi-language  |
| Software package          | EcoStructure secure connect advisor annual subscription cyber security license not included<br>EcoStructure Operator Terminal Expert run time HMI license not included<br>EcoStructure Machine SCADA Expert run time HMI/SCADA on configured offer only<br>EcoStructure augmented operator advisor server augmented operator license not included<br>Vijeo Citect DVD SCADA license not included |

### Complementary

|                                  |   |
|----------------------------------|---|
| Number of points                 | 5   |
| Terminal type                    | Touchscreen display   |
| Memory type                      | 8 GB RAM DDR3 internal  |
| Data storage equipment           | 128 GB back side SSD 1500000 h mtbf                                   |
| Aspect ratio                     | 16:9  |
| Display type                     | Colour TFT LCD<br>LED   |
| Display resolution               | 1366 x 768 pixels WXGA  |
| Backlight lifespan               | 50000 hours   |
| View angle horizontal x vertical | 160 x 170°  |
| Touch panel                      | Projected capacitive technology (PCT)                                 |
| Type of cooling                  | Passive<br>Fanless  |
| Watchdog timer                   | 1...255 ms  |
| Number of slots                  | 1 mini PCI Express full-size  |
| [Us] rated supply voltage        | 24 V DC +/- 20 %<br>100...240 V AC with additional adaptor HMIYSPMAC1 |
| Power consumption in W           | 28...60 W   |
| Mechanical robustness            | Hardness anti-scratch 7H  |
| Function available               | Operate with water on screen  |
| Width                            | 488 mm  |
| Height                           | 309 mm  |
| Depth                            | 56.7 mm   |
| Cut-out dimensions               | 479.3 (+/- 1) x 300.3 (+/- 0.7)                                       |
| Net weight                       | 7 kg  |

The information provided in this documentation contains general descriptions and/or technical characteristics of the performance of the products contained herein. This documentation is not intended as a substitute for and is not to be used for determining suitability or reliability of these products for specific user applications. It is the duty of any such user or integrator to perform the appropriate and complete risk analysis, evaluation and testing of the products with respect to the relevant specific application or use thereof. Neither Schneider Electric Industries SAS nor any of its affiliates or subsidiaries shall be responsible or liable for misuse of the information contained herein.

|              |                      |
|--------------|----------------------|
| Display size | 19" wide multi-touch |
| Main type    | Performance          |

## Environment

|                                       |  |
|---------------------------------------|--|
| IP degree of protection               | IP66 front panel:  |
| Product certifications                | RCM<br>EAC<br>CCC<br>C-Tick<br>CE<br>AS/NZS  |
| Standards                             | UL 60950<br>CSA C22.2 No 60950<br>IEC 61000-6-2<br>CISPR 11<br>FCC part 15 class A<br>IEC 61000-6-4<br>IEC 60950 |
| Directives                            | 2004/108/EC - electromagnetic compatibility<br>2006/95/EC - low voltage directive                                |
| Pollution degree                      | 2  |
| Ambient air temperature for operation | 0...55 °C SSD<br>0...55 °C Cfast card<br>0...45 °C HDD   |
| Ambient air temperature for storage   | -20...60 °C  |
| Relative humidity                     | 10...95 % non-condensing   |
| Operating altitude                    | 2000   |
| Vibration resistance                  | 1 gn (f = 5...500 Hz)HDD   |

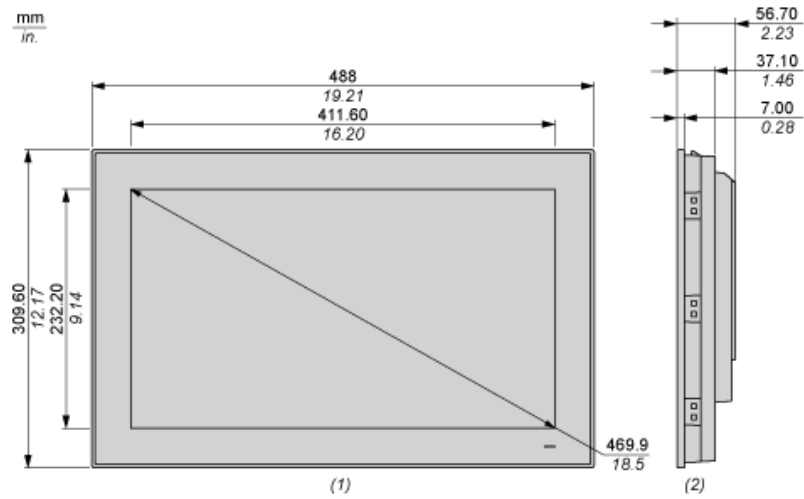
## Packing Units

|                  |            |
|------------------|------------|
| Package 1 Weight | 7.000 kg   |
| Package 1 Height | 56.000 mm  |
| Package 1 width  | 309.000 mm |
| Package 1 Length | 488.000 mm |

## Offer Sustainability

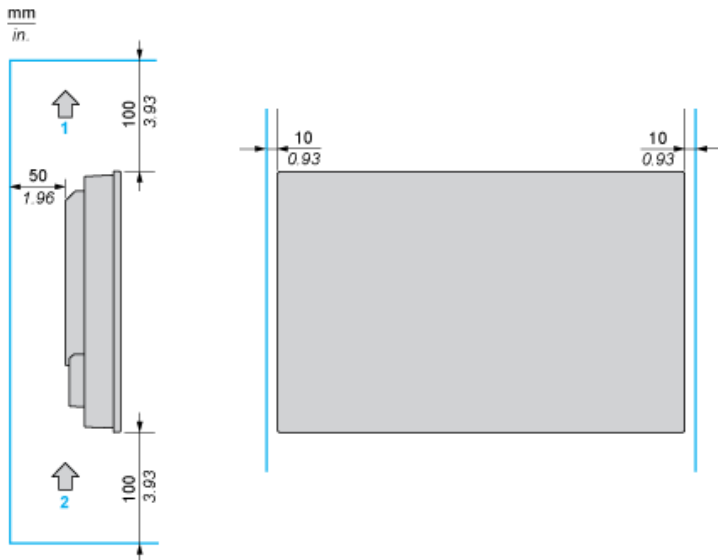
|                            |   |
|----------------------------|---|
| Sustainable offer status   | Green Premium product   |
| REACH Regulation           | <a href="#">REACH Declaration</a>   |
| REACH free of SVHC         | Yes   |
| EU RoHS Directive          | Pro-active compliance (Product out of EU RoHS legal scope) <a href="#">EU RoHS Declaration</a>                              |
| Toxic heavy metal free     | Yes   |
| Mercury free               | Yes   |
| RoHS exemption information | <a href="#">Yes</a>   |
| China RoHS Regulation      | <a href="#">China RoHS Declaration</a>  |
| Environmental Disclosure   | <a href="#">Product Environmental Profile</a>   |
| Circularity Profile        | <a href="#">End Of Life Information</a>   |
| WEEE                       | The product must be disposed on European Union markets following specific waste collection and never end up in rubbish bins |

Dimensions



- (1) Front view
- (2) Side view

Spacing Requirements

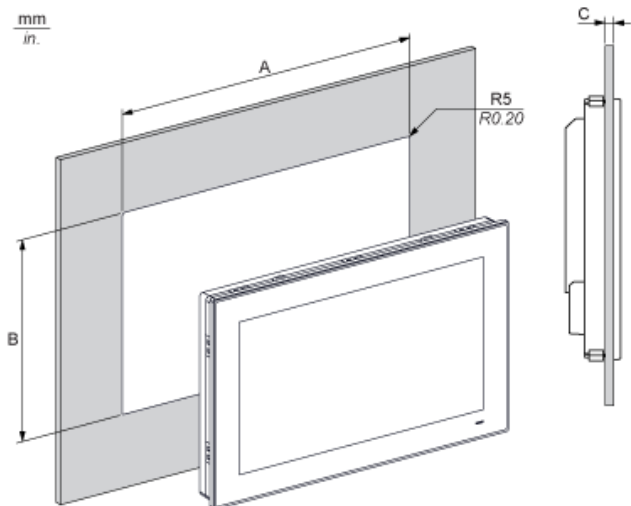


- (1) Air out
- (2) Air in

Mounting Orientation



Panel Cut Dimensions



| A                               | B                                 | C                            | R                 |
|---------------------------------|-----------------------------------|------------------------------|-------------------|
| 479.3 ±1 mm<br>(18.87 ±0.04 in) | 300.3 ±0.7 mm<br>(11.82 ±0.03 in) | 2...6 mm<br>(0.08...0.23 in) | 5 mm<br>(0.20 in) |