



The information provided in this documentation contains general descriptions and/or technical characteristics of the performance of the products contained herein. This documentation is not intended as a substitute for and is not to be used for determining suitability or reliability of these products for specific user applications. It is the duty of any such user or integrator to perform the appropriate and complete risk analysis, evaluation and testing of the products with respect to the relevant specific application or use thereof. Neither Schneider Electric Industries SAS nor any of its affiliates or subsidiaries shall be responsible or liable for misuse of the information contained herein.



Main

Range	TeSys
Product name	TeSys D
Product or component type	Reversing contactor
Device short name	LC2D
Contactor application	Motor control Resistive load
Utilisation category	AC-1 AC-3
Device presentation	Preassembled with reversing power busbar
Poles description	3P
Power pole contact composition	3 NO
[Ue] rated operational voltage	Power circuit: ≤ 1000 V AC 25...400 Hz Power circuit: ≤ 300 V DC
[Ie] rated operational current	200 A (at <60 °C) at ≤ 440 V AC AC-1 for power circuit 150 A (at <60 °C) at ≤ 440 V AC AC-3 for power circuit
Motor power kW	40 kW at 220...230 V AC 50 Hz 75 kW at 380...400 V AC 50 Hz 80 kW at 415...440 V AC 50 Hz 90 kW at 500 V AC 50 Hz 100 kW at 660...690 V AC 50 Hz 75 kW at 1000 V AC 50 Hz
Motor power HP (UL / CSA)	40 Hp at 200/208 V AC 60 Hz for 3 phases motors 50 Hp at 230/240 V AC 60 Hz for 3 phases motors 100 Hp at 460/480 V AC 60 Hz for 3 phases motors 125 hp at 575/600 V AC 60 Hz for 3 phases motors
Control circuit type	AC at 50/60 Hz
[Uc] control circuit voltage	230 V AC 50/60 Hz
Auxiliary contact composition	1 NO + 1 NC
[Uimp] rated impulse withstand voltage	8 kV conforming to IEC 60947
Overtoltage category	III
[Ith] conventional free air thermal current	200 A (at 60 °C) for power circuit
Irms rated making capacity	140 A AC for signalling circuit conforming to IEC 60947-5-1 250 A DC for signalling circuit conforming to IEC 60947-5-1 1660 A at 440 V for power circuit conforming to IEC 60947
Rated breaking capacity	1400 A at 440 V for power circuit conforming to IEC 60947
[Icw] rated short-time withstand current	250 A 40 °C - 10 min for power circuit 580 A 40 °C - 1 min for power circuit 1200 A 40 °C - 10 s for power circuit 1400 A 40 °C - 1 s for power circuit 100 A - 1 s for signalling circuit 120 A - 500 ms for signalling circuit 140 A - 100 ms for signalling circuit
Associated fuse rating	10 A gG for signalling circuit conforming to IEC 60947-5-1 315 A gG at ≤ 690 V coordination type 1 for power circuit 250 A gG at ≤ 690 V coordination type 2 for power circuit
Average impedance	0.6 mOhm - Ith 200 A 50 Hz for power circuit

[Ui] rated insulation voltage	Power circuit: 600 V CSA certified Power circuit: 600 V UL certified Signalling circuit: 690 V conforming to IEC 60947-1 Signalling circuit: 600 V CSA certified Signalling circuit: 600 V UL certified Power circuit: 1000 V conforming to IEC 60947-4-1
Electrical durability	0.85 Mcycles 150 A AC-3 at $U_e \leq 440$ V 1 Mcycles 200 A AC-1 at $U_e \leq 440$ V
Power dissipation per pole	24 W AC-1 13.5 W AC-3
Front cover	With
Interlocking type	Electrical Mechanical
Mounting support	Rail Plate
Standards	CSA C22.2 No 14 EN 60947-4-1 EN 60947-5-1 IEC 60947-4-1 IEC 60947-5-1 UL 508
Product certifications	BV CCC CSA DNV GL RINA UL EAC
Connections - terminals	Control circuit: screw clamp terminals 2 cable(s) 1... 2.5 mm ² flexible with cable end Control circuit: screw clamp terminals 1 cable(s) 1... 2.5 mm ² flexible without cable end Control circuit: screw clamp terminals 2 cable(s) 1... 2.5 mm ² flexible without cable end Control circuit: screw clamp terminals 1 cable(s) 1... 2.5 mm ² flexible with cable end Control circuit: screw clamp terminals 1 cable(s) 1... 2.5 mm ² solid without cable end Control circuit: screw clamp terminals 2 cable(s) 1... 2.5 mm ² solid without cable end Power circuit: connector 1 cable(s) 10... 120 mm ² flexible without cable end Power circuit: connector 2 cable(s) 10... 50 mm ² flexible without cable end Power circuit: connector 1 cable(s) 10... 120 mm ² flexible with cable end Power circuit: connector 2 cable(s) 10... 50 mm ² flexible with cable end Power circuit: connector 1 cable(s) 10... 120 mm ² solid without cable end Power circuit: connector 2 cable(s) 10...50 mm ² solid without cable end
Tightening torque	Control circuit: 1.2 N.m - on screw clamp terminals - with screwdriver flat Ø 6 mm Control circuit: 1.2 N.m - on screw clamp terminals - with screwdriver Philips No 2 Power circuit: 12 N.m - on connector hexagonal screw head 4 mm
Operating time	20...35 ms closing 40...75 ms opening
Safety reliability level	B10d = 1369863 cycles contactor with nominal load conforming to EN/ISO 13849-1 B10d = 20000000 cycles contactor with mechanical load conforming to EN/ISO 13849-1
Mechanical durability	8000000 cycles
Maximum operating rate	1200 cyc/h 60 °C

Complementary

Coil technology	Built-in bidirectional peak limiting diode suppressor
Control circuit voltage limits	0.3...0.5 U _c (-40...70 °C):drop-out AC 50/60 Hz 0.8...1.15 U _c (-40...55 °C):operational AC 50/60 Hz 1...1.15 U _c (55...70 °C):operational AC 50/60 Hz
Inrush power in VA	280...350 VA 60 Hz cos phi 0.9 (at 20 °C) 280...350 VA 50 Hz cos phi 0.9 (at 20 °C)
Hold-in power consumption in VA	2...18 VA (at 20 °C) cos phi 0.9 60 Hz 2...18 VA (at 20 °C) cos phi 0.9 50 Hz
Heat dissipation	3...4.5 W at 50/60 Hz
Auxiliary contacts type	Type mechanically linked 1 NO + 1 NC conforming to IEC 60947-5-1 Type mirror contact 1 NC conforming to IEC 60947-4-1
Signalling circuit frequency	25...400 Hz
Minimum switching current	5 mA for signalling circuit
Minimum switching voltage	17 V for signalling circuit
Non-overlap time	1.5 Ms on de-energisation between NC and NO contact 1.5 ms on energisation between NC and NO contact
Insulation resistance	> 10 MOhm for signalling circuit

Environment

IP degree of protection	IP20 front face conforming to IEC 60529
Protective treatment	TH conforming to IEC 60068-2-30
Pollution degree	3
Ambient air temperature for operation	-40...60 °C 60...70 °C with derating
Ambient air temperature for storage	-60...80 °C
Operating altitude	0...3000 m
Fire resistance	850 °C conforming to IEC 60695-2-1
Flame retardance	V1 conforming to UL 94
Mechanical robustness	Vibrations contactor open: 2 Gn, 5...300 Hz Vibrations contactor closed: 4 Gn, 5...300 Hz Shocks contactor closed: 15 Gn for 11 ms Shocks contactor open: 6 Gn for 11 ms
Height	158 mm
Width	266 mm
Depth	148 mm
Net weight	6.4 kg

Packing Units

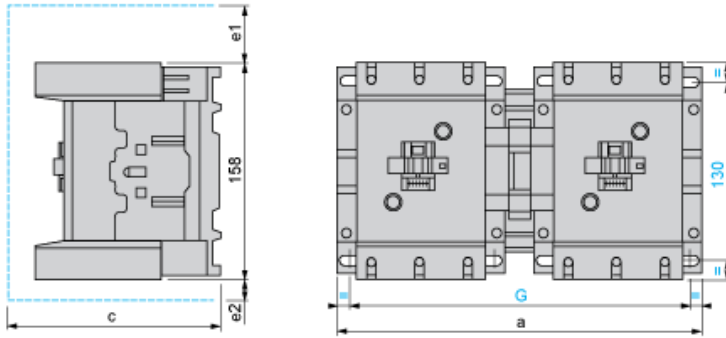
Unit Type of Package 1	PCE
Number of Units in Package 1	1
Package 1 Weight	6.5 kg
Package 1 Height	23 cm
Package 1 width	31.5 cm
Package 1 Length	37 cm

Offer Sustainability

Sustainable offer status	Green Premium product
REACH Regulation	REACH Declaration
EU RoHS Directive	Compliant EU RoHS Declaration
Mercury free	Yes
RoHS exemption information	Yes
China RoHS Regulation	China RoHS Declaration
Environmental Disclosure	Product Environmental Profile
Circularity Profile	End Of Life Information

WEEE	The product must be disposed on European Union markets following specific waste collection and never end up in rubbish bins
PVC free	Yes
Contractual warranty	
Warranty	18 months

Dimensions



LC2 or 2 x LC1	a	c	e1	e2	G
D115 and D150	266	148	56	18	242/256
c, e1 and e2: including cabling.					

Wiring

